



## Profile Plasma Cutting Line



JINFENG® is the professional China manufacturer and supplier of Profile Plasma cutting lines with affordable price. The Profile Plasma cutting lines are high performance plasma Robot profile cutting lines to execute the plasma cutting on different steel profiles of bulb, strip, angles, T-beam, Channel, H beam or I beam with an robot arm.

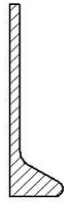

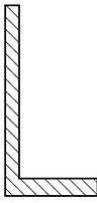
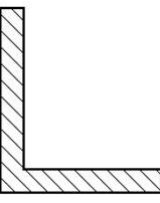
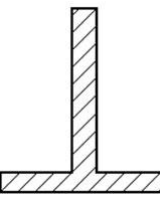
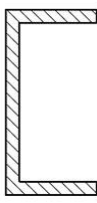
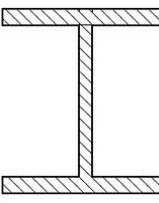
JINFENG® is the professional China manufacturer and supplier of Profile Plasma cutting lines with affordable price. The Profile Plasma cutting lines are high performance plasma Robot profile cutting lines to execute the plasma cutting on different steel profiles of bulb, strip, angles, T-beam, Channel, H beam or I beam with an robot arm.

### PRG 400

## Profile Plasma Cutting Lines

For all the Profile Plasma cutting lines and plasma cutting machines that manufactured by JINFENG WELDCUT will have 2 years warranty, and which are Equipped with optional parts like Roller tables, cross conveyor, inkjet marking, dust filter, plasma cutting system, output belt-plate conveyor, tilters and support all CAD-CAM interfaces. The PRG Profile Plasma cutting lines are the most advanced robotic plasma cutting line to increase the productivity for End-users from different industries.

## Specifications

Model	Bulb	Strip	Angle	E-angle	T-beam	Channel	H-beam	Length	Weight
									
PRG 400	80*5mm – 400*20mm	100*5mm – 400*20mm	100*75mm- 300*150mm	75*75mm- 180*180mm	100*50mm- 350*150mm	100*50mm- 400*115mm	N/A	12000mm	1.5T
PRG	80*5mm –	100*5mm	100*75mm-	75*75mm-	100*50mm-	100*50mm-	150*150mm-	12000mm	2.5T

Ningbo JinFeng Welding and Cutting Machinery Manufacture Co., Ltd  
 Address: No.337, 7th Xingci Road, Hangzhou Bay New Area, Ningbo, P.r.china  
 Tel: +86-574-63487698  
 Phone: +86-13456194991

Fax: +86-574-63487678  
 E-mail: export@jinfeng-weldcut.com



www.jinfengweldcut.com

600	550*20mm	— 600*30mm	500*150mm	220*220mm	500*200mm	400*200mm	400*200mm		
Support Plasma cutting, Plasma marking, Inkjet marking, CAD-CAM software									

## Feature And Application

- 1.The PRG Profile Plasma cutting lines is a high automation cutting equipment integrated with an ABB six axis robot arm. By one key operation by one operator ,the line start the automatic processing from material loading and parts unloading after plasma cutting.
- 2.The line can be fully integration with the MES system and Allow remote control via team viewer for the engineers from manufacturer to easily carry out the remote diagnosis to solve the problems via internet without sending engineers to the working site.
- 3.The CNC system provides full control of all main line system (robot, roller table, cross conveyor, measuring cart and gripper, the marking system).
- 4.Can read \*.gen files created from Tribon/AM, DSTV files exported from TEKLA design software and others formats.
- 5.This Profile Plasma cutting lines are widely used in Shipbuilding, shipyard and offshore for the plasma cutting of stiffener to make flat panel, double bottom construction, subassemblies, bulkheads, webs, micro panel for different vessels/Ships. With PRG Profile Plasma cutting lines, the shipyards or shipbuilding can increase their production and reduce the labors.



## Details

The PRG400 Profile Plasma cutting lines consists of:

Tilters for overturn the profiles

Roller conveyors as buffler

Cross conveyor for loading

Measuring cart and gripper

Input Roller table

Inkjet marking device,

Robot plasma cutting chamber with a dust filter

Short part sorting belt-plate conveyor

Output roller table for long part

Ningbo JinFeng Welding and Cutting Machinery Manufacture Co., Ltd

Address: No.337, 7th Xingci Road, Hangzhou Bay New Area, Ningbo, P.r.china

Tel: +86-574-63487698

Phone: +86-13456194991

Fax: +86-574-63487678

E-mail: export@jinfeng-weldcut.com



[www.jinfengweldcut.com](http://www.jinfengweldcut.com)

Cross conveyor for long parts  
Tilters for manual grinding

## Structure view



## Measuring cart and gripper

Feeding the profile into cutting chamber at same time to measure the length of profile fed.

Ningbo JinFeng Welding and Cutting Machinery Manufacture Co., Ltd  
Address: No.337, 7th Xingci Road, Hangzhou Bay New Area, Ningbo, P.r.china  
Tel: +86-574-63487698  
Phone: +86-13456194991

Fax: +86-574-63487678  
E-mail: [export@jinfeng-weldcut.com](mailto:export@jinfeng-weldcut.com)



[www.jinfengweldcut.com](http://www.jinfengweldcut.com)



## **Inkjet marker**

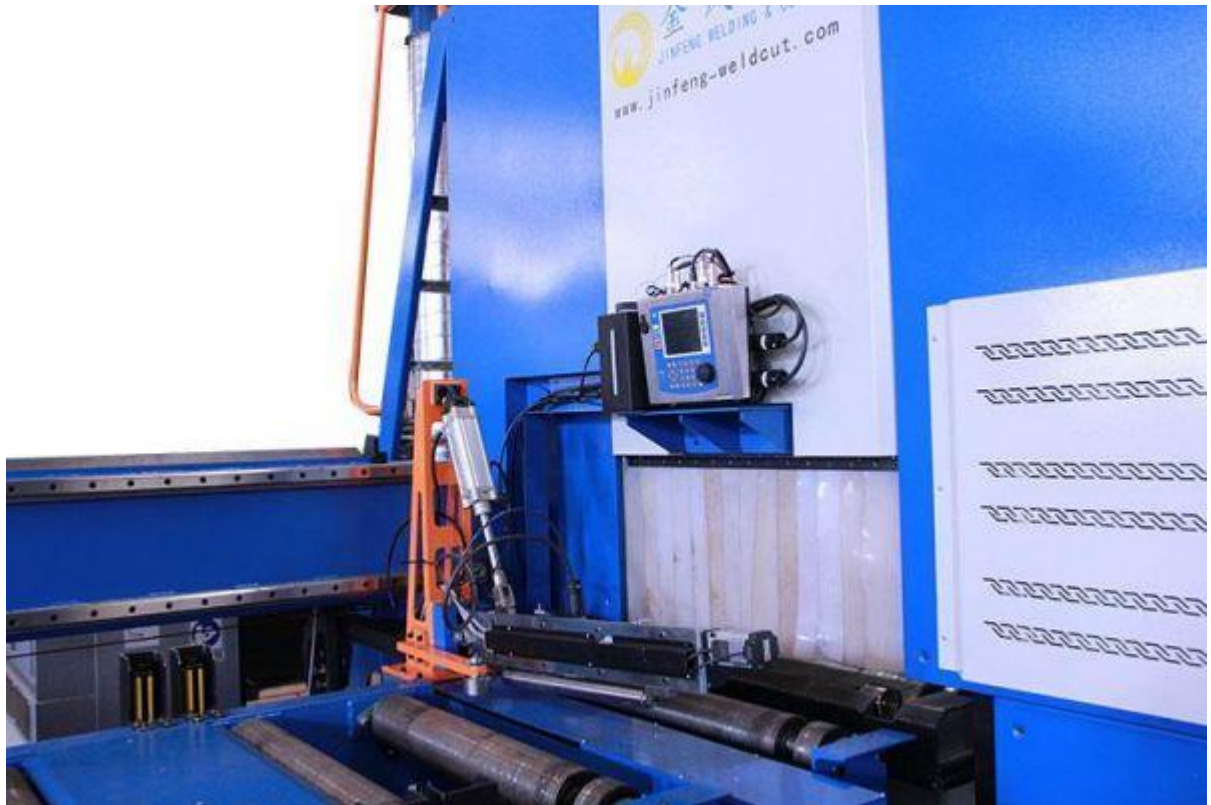
By inkjet marking device to print letters, numbers, symbol and bending line (inverse lines)

Ningbo JinFeng Welding and Cutting Machinery Manufacture Co., Ltd  
Address: No.337, 7th Xingci Road, Hangzhou Bay New Area, Ningbo, P.r.china  
Tel: +86-574-63487698  
Phone: +86-13456194991

Fax: +86-574-63487678  
E-mail: [export@jinfeng-weldcut.com](mailto:export@jinfeng-weldcut.com)



[www.jinfengweldcut.com](http://www.jinfengweldcut.com)



## Robot cutting chamber

Ningbo JinFeng Welding and Cutting Machinery Manufacture Co., Ltd  
Address: No.337, 7th Xingci Road, Hangzhou Bay New Area, Ningbo, P.r.china  
Tel: +86-574-63487698  
Phone: +86-13456194991

Fax: +86-574-63487678  
E-mail: [export@jinfeng-weldcut.com](mailto:export@jinfeng-weldcut.com)



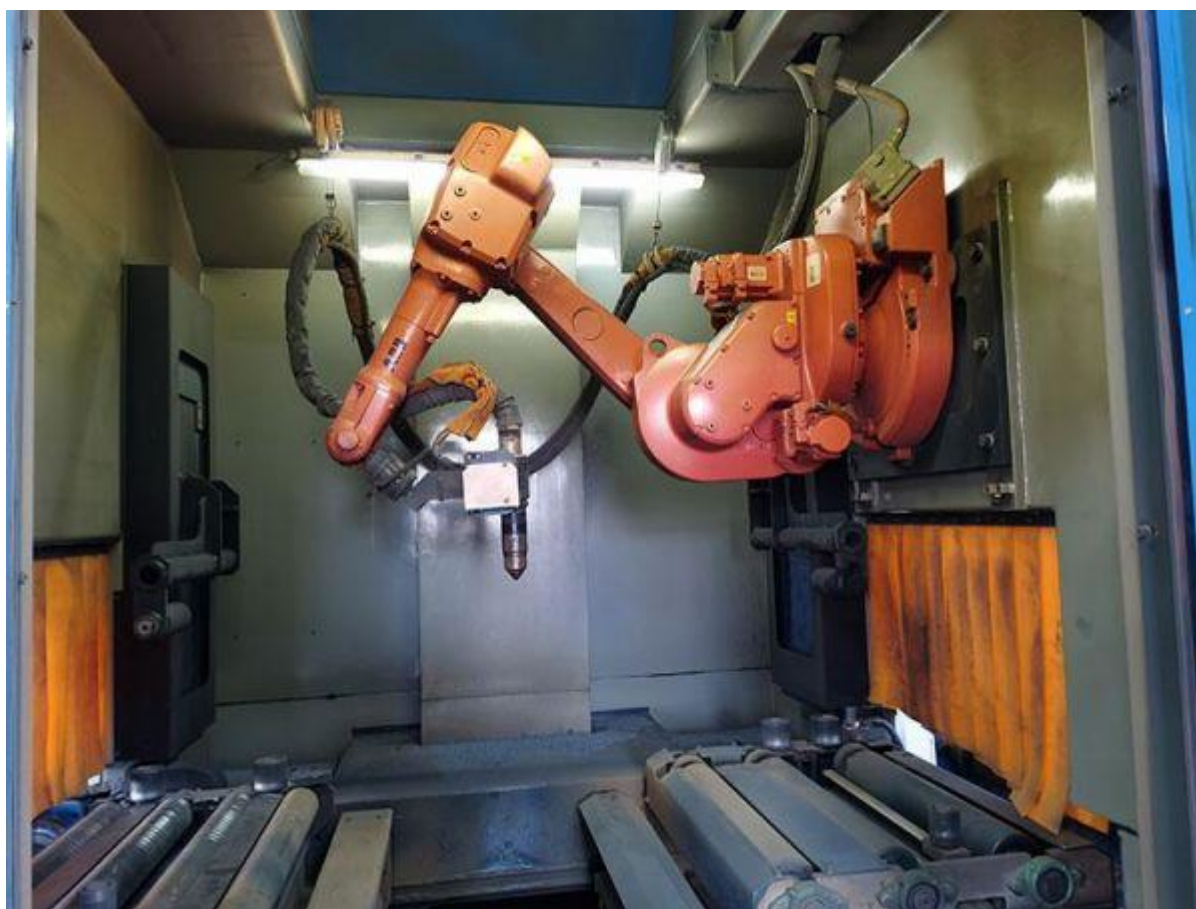
[www.jinfengweldcut.com](http://www.jinfengweldcut.com)

By installed an 6 axis robot arm inside cutting chamber to execute the high quality cutting on profiles. This is the key part of the whole PRG400 Profile Plasma cutting lines.



Ningbo JinFeng Welding and Cutting Machinery Manufacture Co., Ltd  
Address: No.337, 7th Xingci Road, Hangzhou Bay New Area, Ningbo, P.r.china  
Tel: +86-574-63487698  
Phone: +86-13456194991

Fax: +86-574-63487678  
E-mail: [export@jinfeng-weldcut.com](mailto:export@jinfeng-weldcut.com)



## **Belt-plate conveyor and receiving table**

By equipped a belt-plate conveyor after cutting chamber, the PRG400 Profile Plasma cutting lines can automatically sorting the short parts and automatic output the parts. The short part is pushed by a pusher to the receiving table for operator carry out the short parts easily.





[www.jinfengweldcut.com](http://www.jinfengweldcut.com)



## Tilters

On the PRG400 Robot plasma cutting machine there are 3 groups of profiles tilters installed. The first group is for overturn the bulbs 180 degrees to make the bulb head in bottom. The other 2 groups is to overturn the parts for let operators do manual grinding to remove the burr on the both sides of parts after cutting.

Ningbo JinFeng Welding and Cutting Machinery Manufacture Co., Ltd  
Address: No.337, 7th Xingci Road, Hangzhou Bay New Area, Ningbo, P.r.china  
Tel: +86-574-63487698  
Phone: +86-13456194991

Fax: +86-574-63487678  
E-mail: [export@jinfeng-weldcut.com](mailto:export@jinfeng-weldcut.com)